

## 90 ton Injection Molding Machine



## Efficient Injection Molding Machine

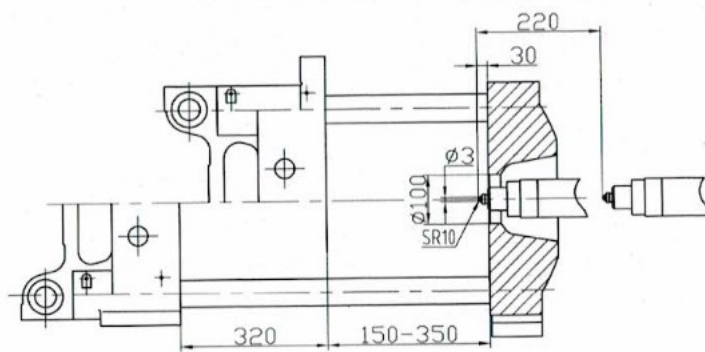
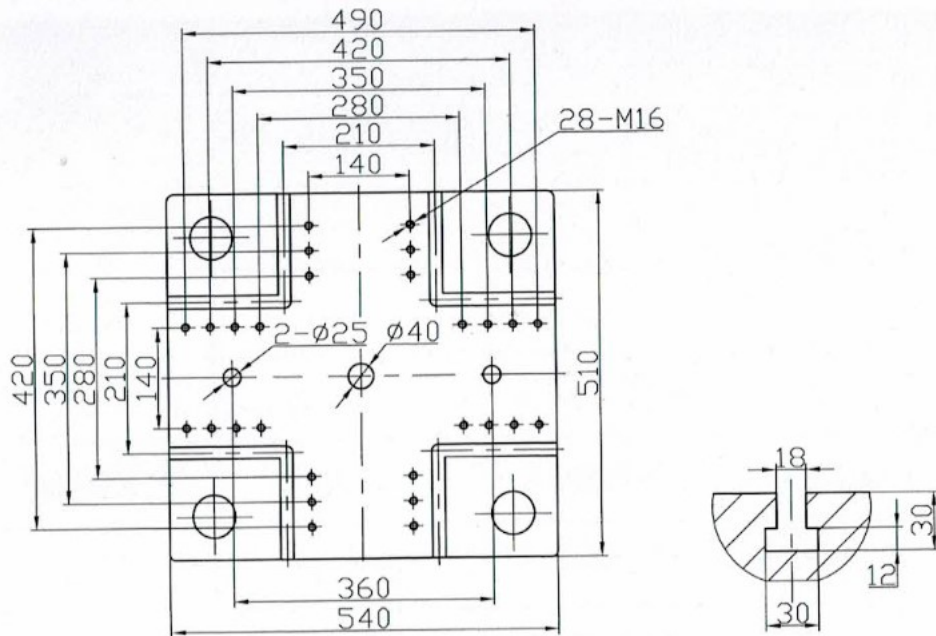
competitive price & stable quality & trustable service

strengthened mold platen with T-slot / Ceramic heater/ Famous  
PLC with multilingual screen / servo motor & energy saving

Technical Parameters

MODEL: DY90					
TECHNICAL PARAMETER TABLE			A	B	C
INJECTION UNIT	SCREW DIAMETER	mm	32	35	38
	SCREW L/D RATIO	L/D	22	20.1	18.5
	INJECTION CAPACITY (THEORETICAL)	cm <sup>3</sup>	133	160	190
	INJECTION WEIGHT(PS)	g	121	146	173
	INJECTION RATE	g/s	81	97	115
	INJECTION PRESSURE	Mpa	203	170	144
	SCREW SPEED	rpm	225		
CLAMPING UNIT	CLAMP FORCE	KN	900		
	OPEN STROKE	mm	320		
	SPACE BWTWEEN TIE-BARS (W×H)	mm	360*340		
	MAX. MOULD HEIGHT	mm	350		
	MIN. MOULD HEIGHT	Mm	150		
	EJECTOR STROKE	Mm	90		
	EJECTOR FORCE	Kn	30		
OTHERS	PUMP PRESSURE	MPa	16		
	MOTOR POWER	KW	11		
	HEATING POWER	KW	6.5		
	MACHINE DIMENSION (L×W×H)	m	3.9*1.2*1.8		
	OIL TANK CAPACITY	L	180		
	MACHINE WEIGHT	t	2.8		

## Drawing of mold platen



Main Component List in standard

	Description	Brand	Origin
Electric Unit	Controller	TECHMATION	TAIWAN
	Servo driver	Inovance/AUSTONE	China Famous brand
	Servo motor	PHASE	Italy
	Three-pole automatic switch	Schneider	France
	Thermal relay, AC Contactor	Schneider	France
	Photoelectric / Proximity switch	Schneider	France
	Transducer	BONY/WOOG	Germany Joint Ventre
	Limited switch	Schneider/OMRON	France/JAPAN
Hydraulic Unit	Oil pump	Sumitomo/Eckerle	Japan/Germany
	Hydraulic Valve	Yuken	Taiwan
	Hydraulic motor (Injection)	Dandun	Italy Joint Venture
	Hydraulic motor (mold Adjustment)	Dandun	Italy Joint Venture
	Pressure sensor	KELLER	Swiss
	Oil Seal	HALITE	U.K
	Lubrication system	HERG	Japan Joint Venture

Free Spare parts for each machine

<b>Free spare parts with shipment for each machine</b>	
<b>Parts Name</b>	<b>Amount</b>
"O" Ring	1 set
Barrel heater	1 pc
Nozzle heater	1 pc
leveling pad	1 set
Oil gun	1pc
Mould clamping	1set
Thermocouple	1pcs
Lubricating grease	1 bucket
Plug	3pcs
Spanner	1set
MANUAL BOOK	1pc
TOOL BOX WITH TOOLS	1case
Nozzle	1pc
Pipe Clamp	4pcs
Filter Element	1pc

Remark:

Due to continual improvement, specifications are subject to change without notification.

---

**NINGBO YINZHOU DAYA MACHINERY CO., LTD**

Website: [www.dayamachinery.com](http://www.dayamachinery.com)

Telephone: +86-574-56118361

Mobile/WhatsApp: +86-16657180219

Email: [sales@dayamachinery.com](mailto:sales@dayamachinery.com)